

ANGLED STRAINER



Art. 2390

Angled strainer with female connections.
Available sizes: 1/2", 3/4" and 1"



Art. 2392

Angled strainer with male-female connections.
Available sizes: 1/2" and 3/4"



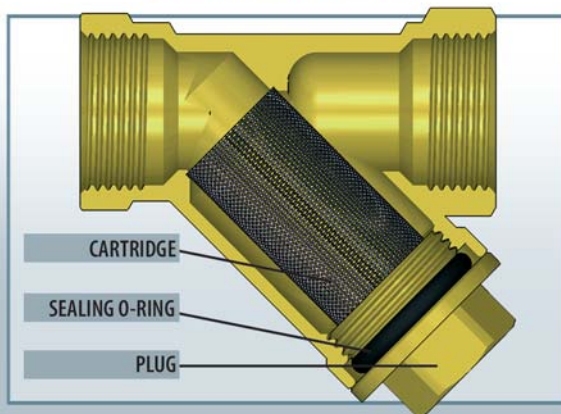
Art. 2328

Angled strainer for metering system with male-female connections.
Available sizes: 1/2" and 3/4"

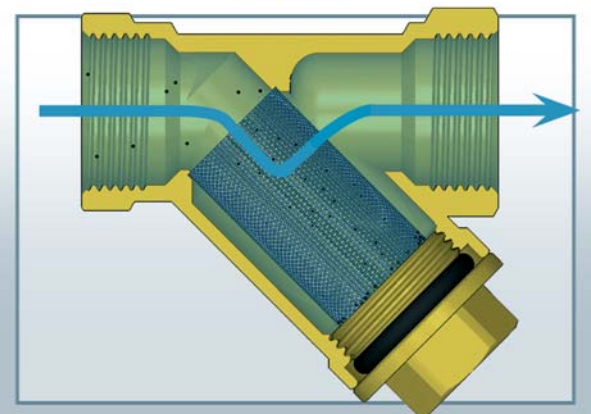
1. DESCRIPTION

The FAR angled strainer is a compact hydraulic component that permits removal of impurities and particles which could pollute the system and damage the components within it. The cartridge is easily removable for simple, fast maintenance and is just as easy to replace.

CONSTRUCTION FEATURES



FUNCTION

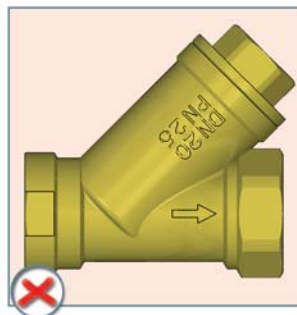


2. INSTALLATION



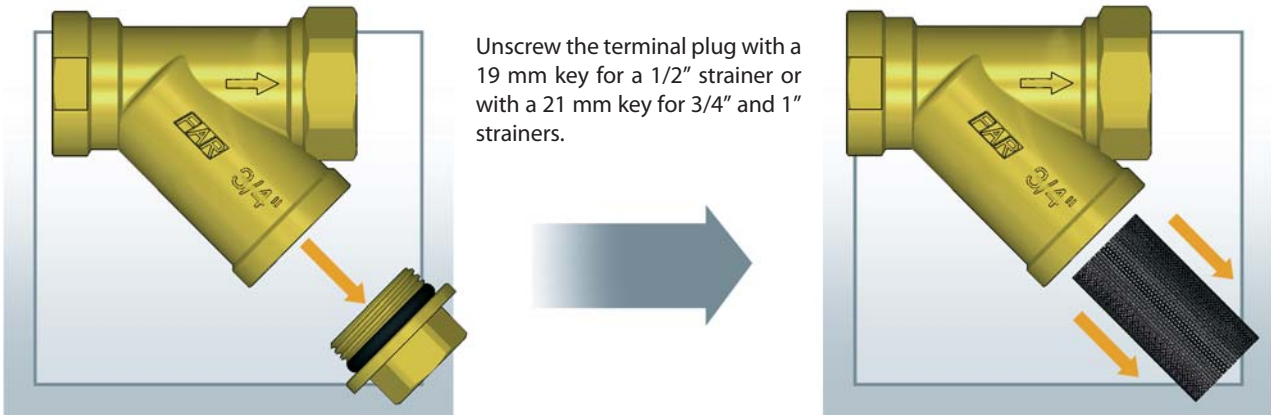
The angled strainer can be installed in both horizontal and vertical positions - paying attention to the direction of flow and the arrow printed on the body.

The following illustrations show "right" and "wrong" positioning of the strainer:

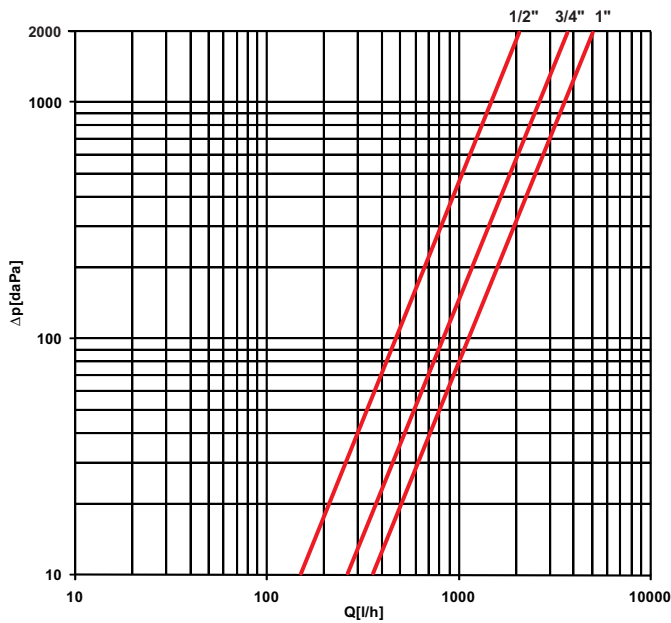


3. MAINTENANCE

Installation of a ball valve before the strainer is recommended in order to close off the circuit prior to clean out the cartridge.



4. FLUID-DYNAMIC FEATURES



1/2" $K_v = 4,5 \text{ m}^3/\text{h}$

3/4" $K_v = 8,3 \text{ m}^3/\text{h}$

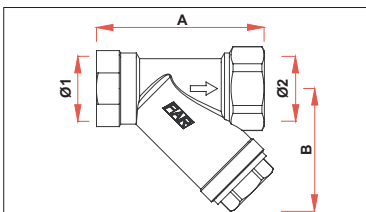
1" $K_v = 12 \text{ m}^3/\text{h}$

5. TECHNICAL FEATURES

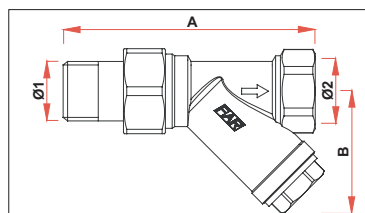
Compatible media:	water
Max. water temperature:	95° C
PN:	25 bar
Filtration level:	600 μm

Body material:	CW617N brass
Mesh filter material:	AISI 304 steel
Terminal plug:	CW617N brass
O-ring:	EPDM

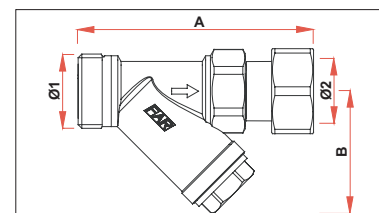
6. DIMENSIONAL FEATURES



CODE	Ø1	Ø2	A	B
2390 1	G1/2	G1/2	59	44
2390 34	G3/4	G3/4	70	52
2390 1	G1	G1	80	54



CODE	Ø1	Ø2	A	B
2392 12	G1/2	G1/2	89	44
2392 34	G3/4	G3/4	103	52



CODE	Ø1	Ø2	A	B
2328 12	G1/2	G1/2	84	44
2328 34	G3/4	G3/4	98	52